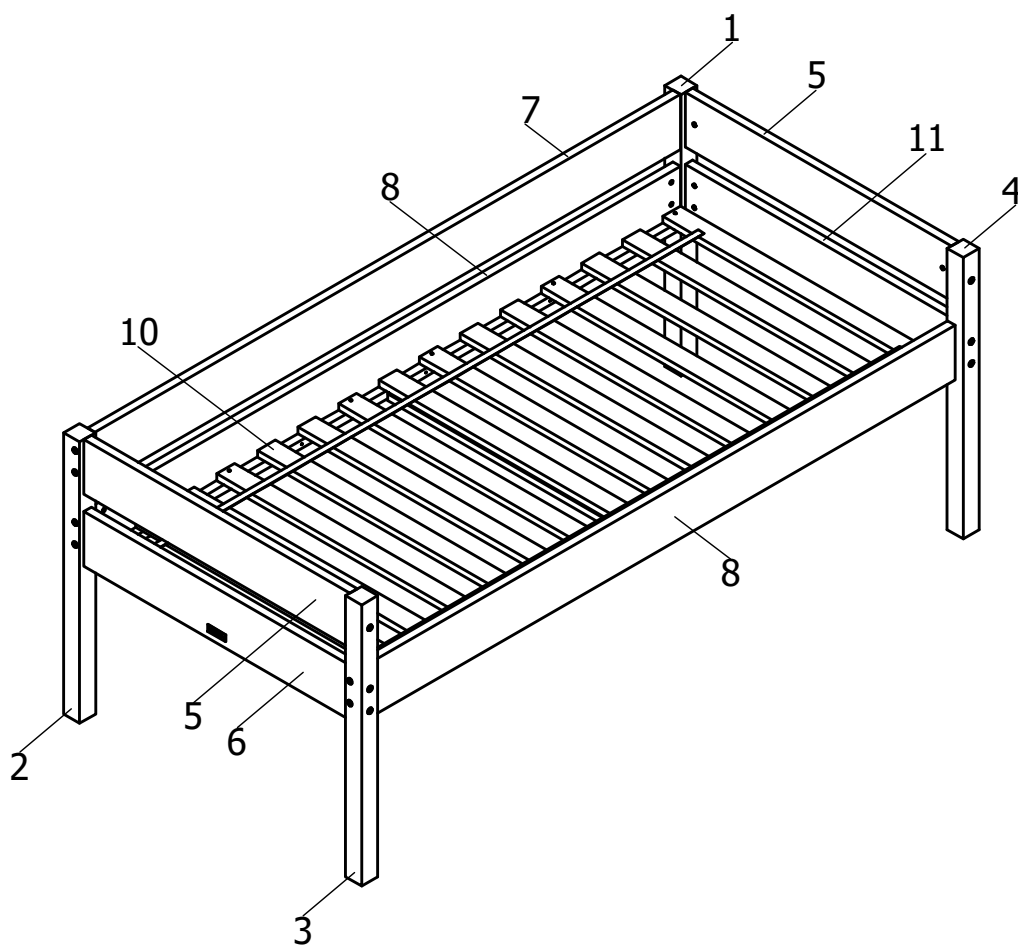


# bopita®

ASSEMBLY INSTRUCTION  
MONTAGE HANDLEIDING  
MONTAGE ANLEITUNG  
NOTICE DE MONTAGE  
MANUAL DE MONTAJE

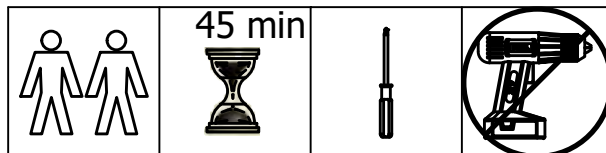
UK  
NL  
D  
F  
ESP

MODEL : LUCAS  
TYPE : BENCHBED 90X200  
COLOUR : MATT BLACK/NATURAL  
ART. CODE : 149232.19









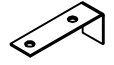


Distributor:

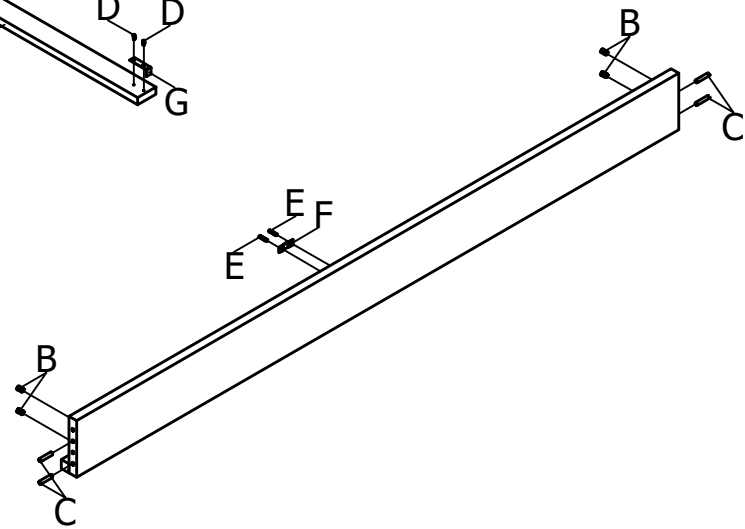
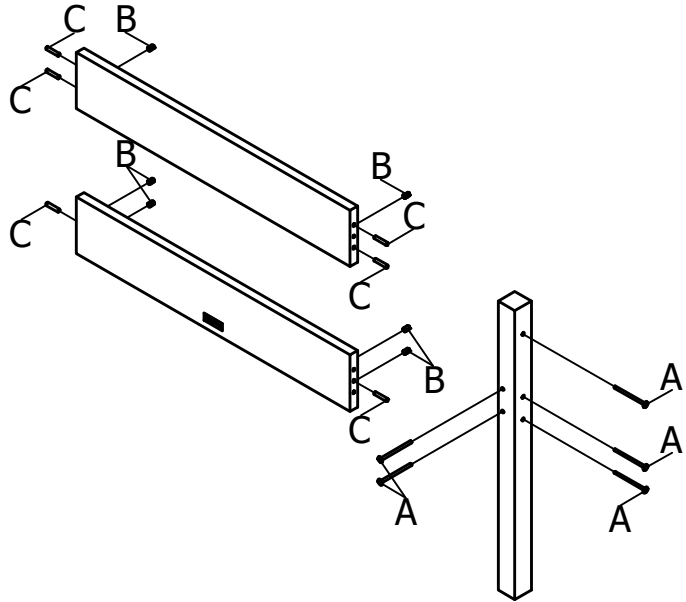
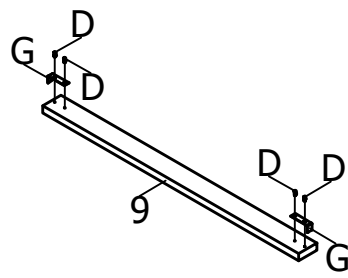
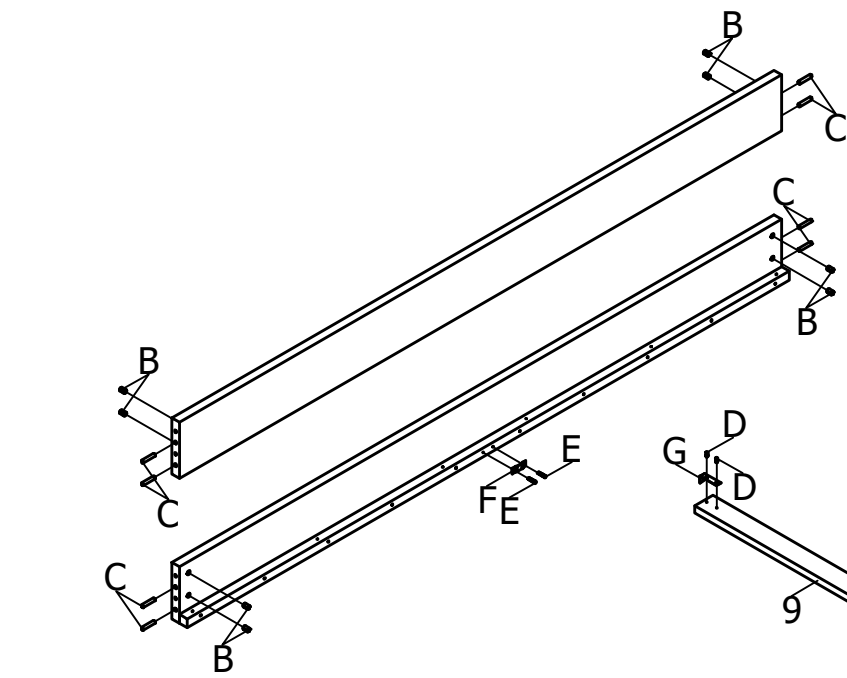
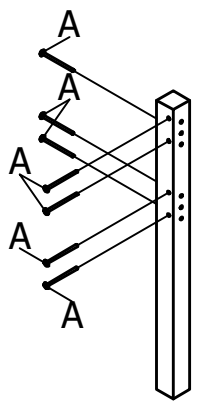
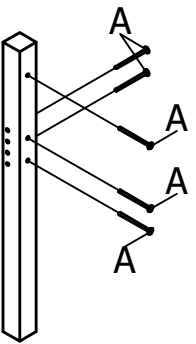
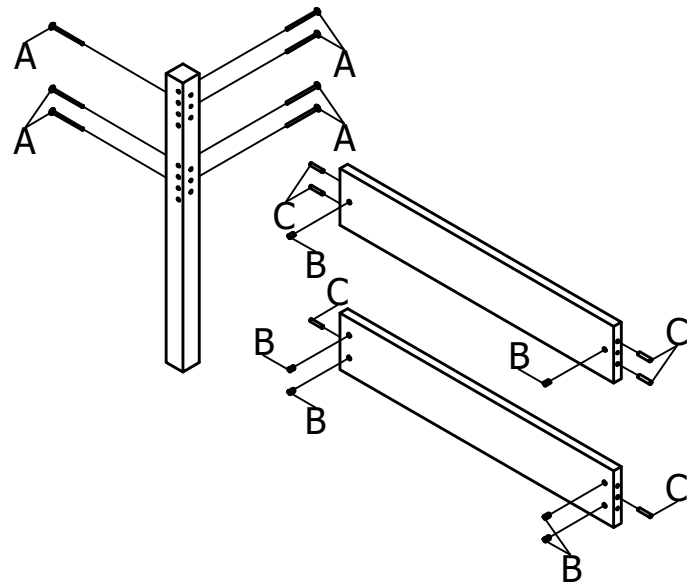
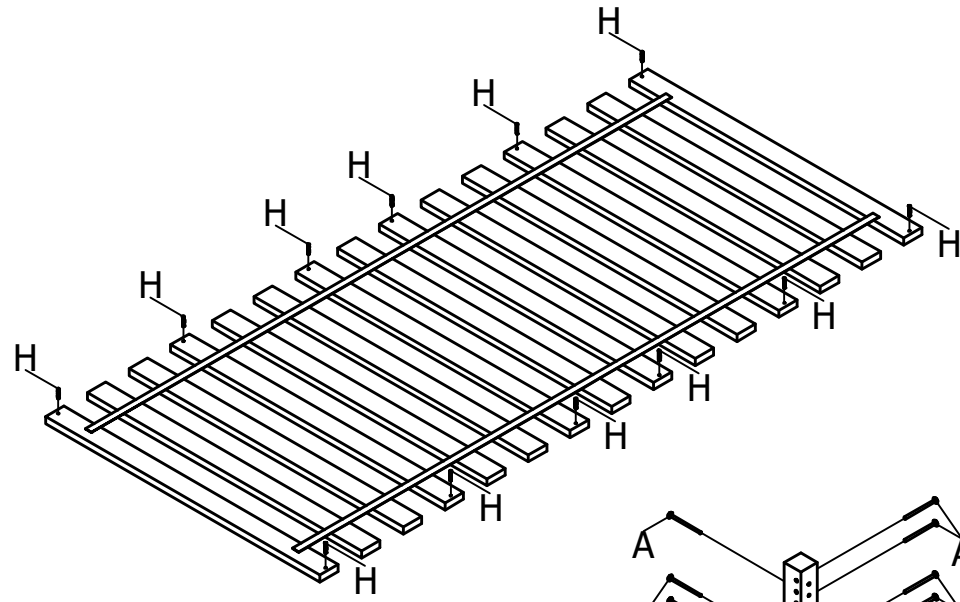
BOPITA  
Energieweg 1  
6662 NS Elst  
The Netherlands



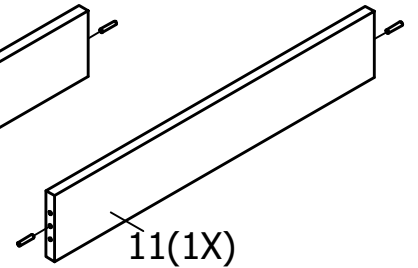
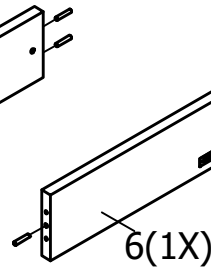
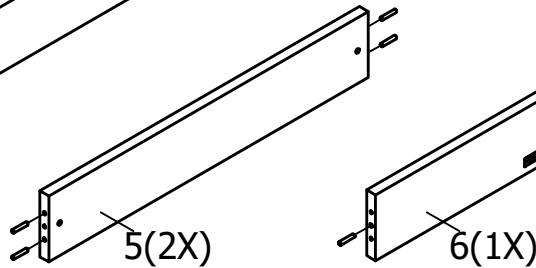
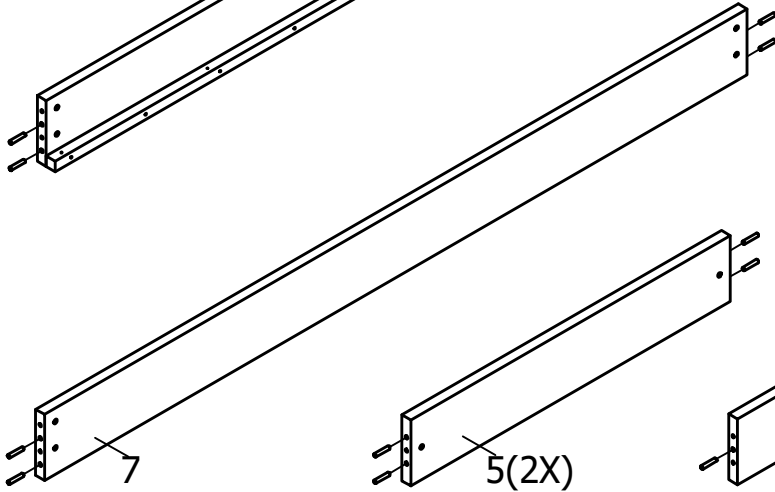
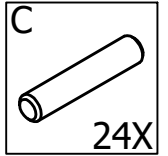
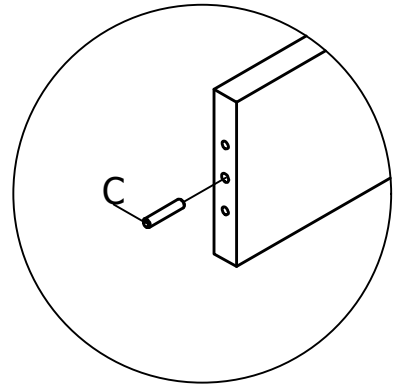
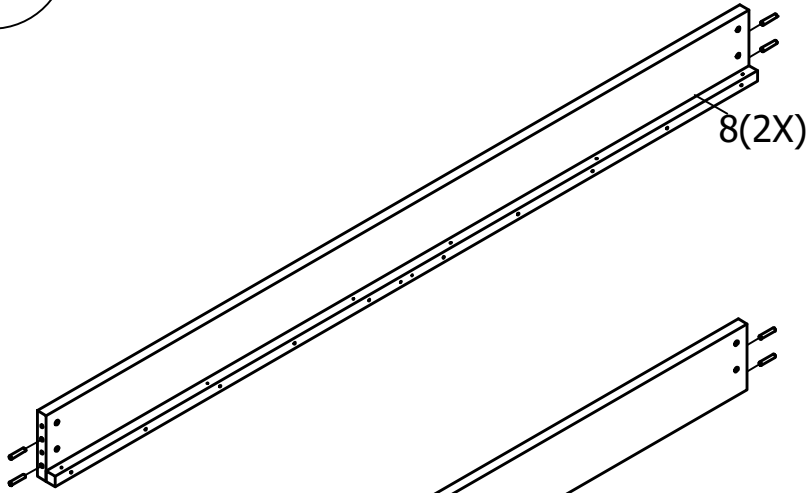
[www.bopita.com](http://www.bopita.com)

12.06.2023.

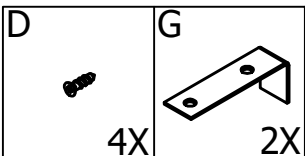
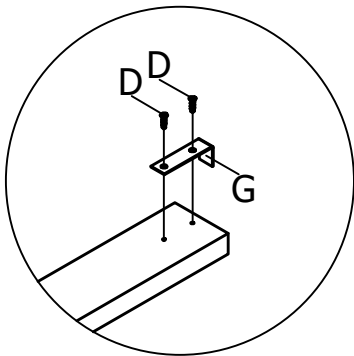
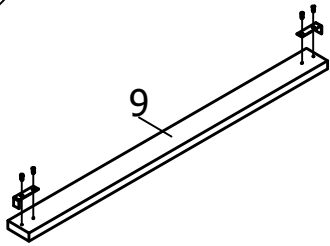
A		B		C		D		E	
M6X80	24X	M6	24X	Ø8X40	24X	3.5X16	4X	3.5X25	4X
F		G		H		I			
	2X		2X	3.5X35	12X	SW4	1X		



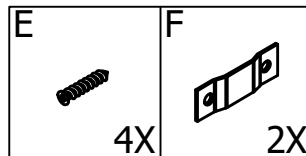
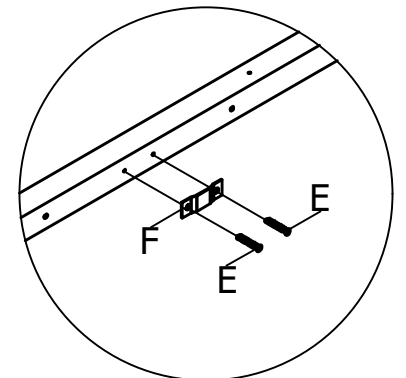
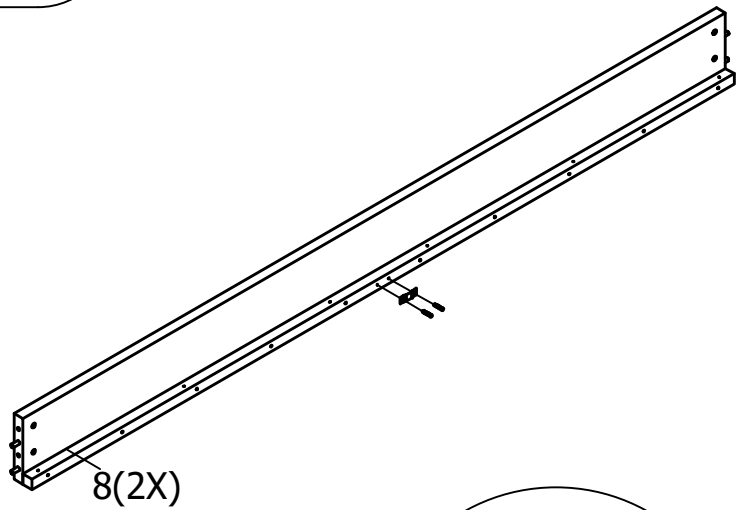
1



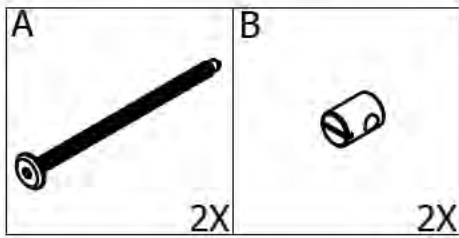
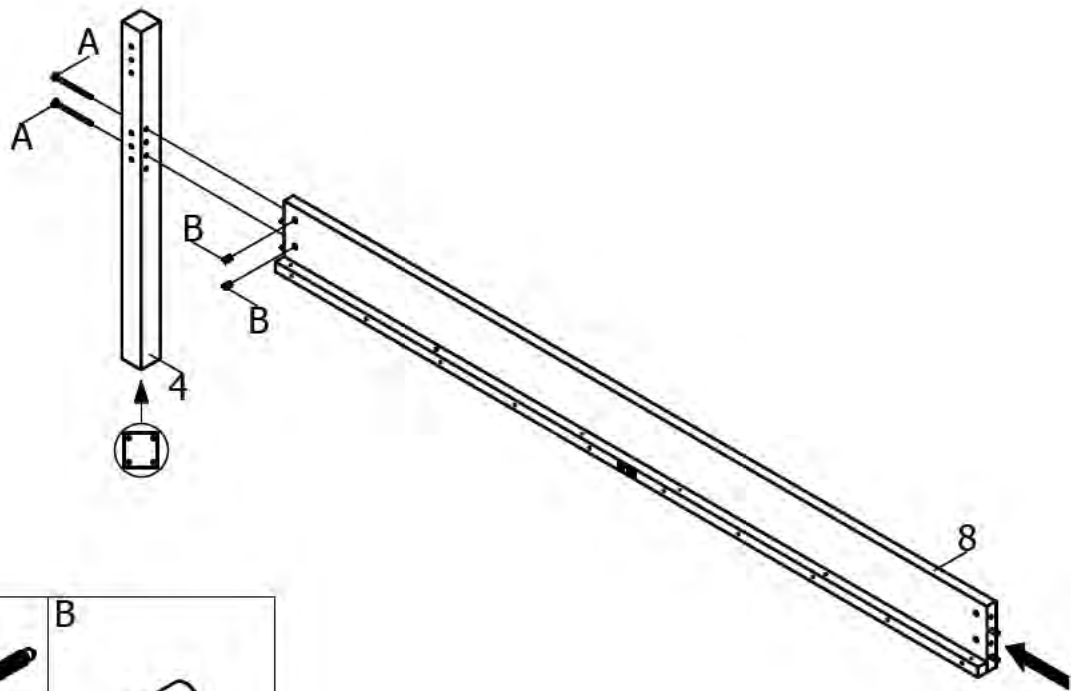
2



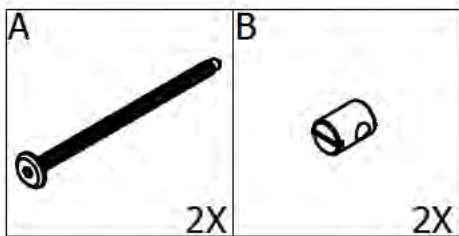
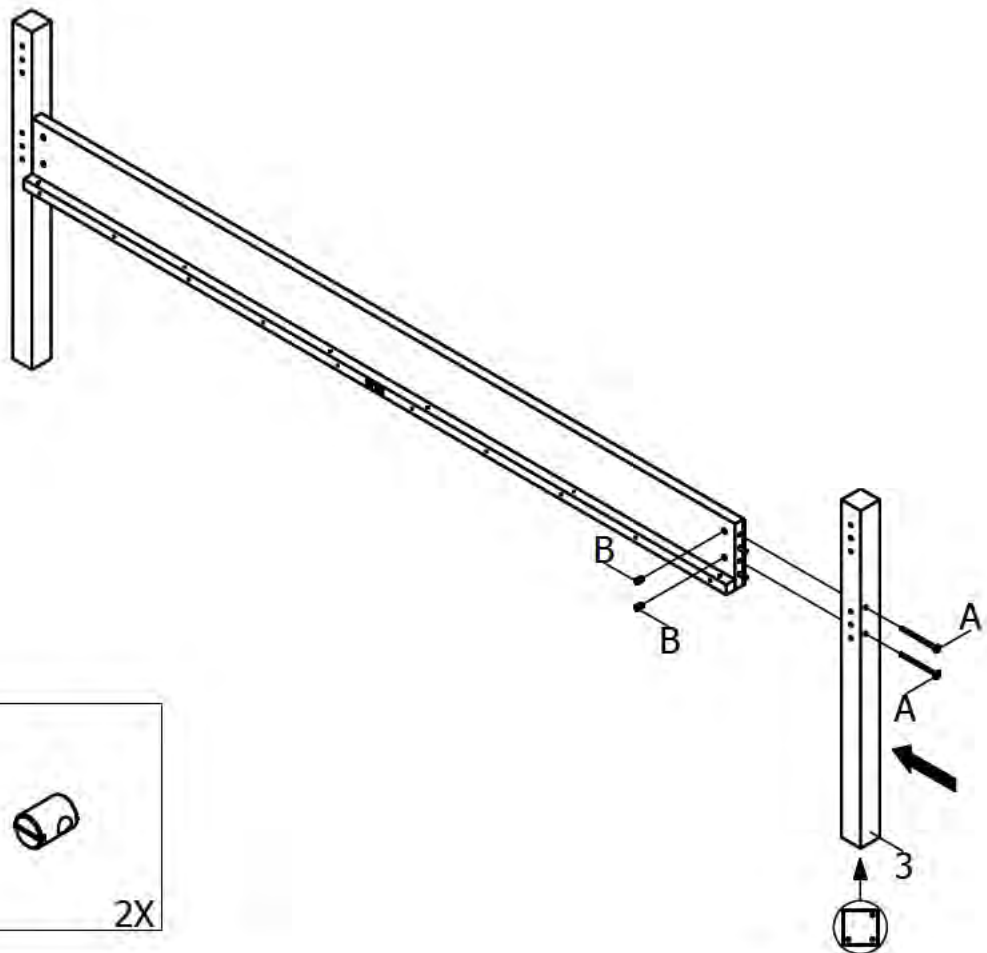
3



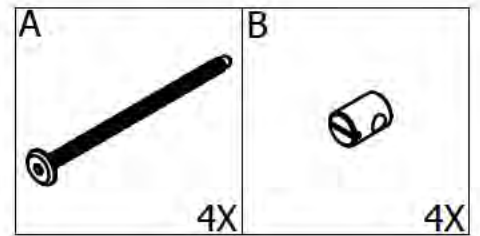
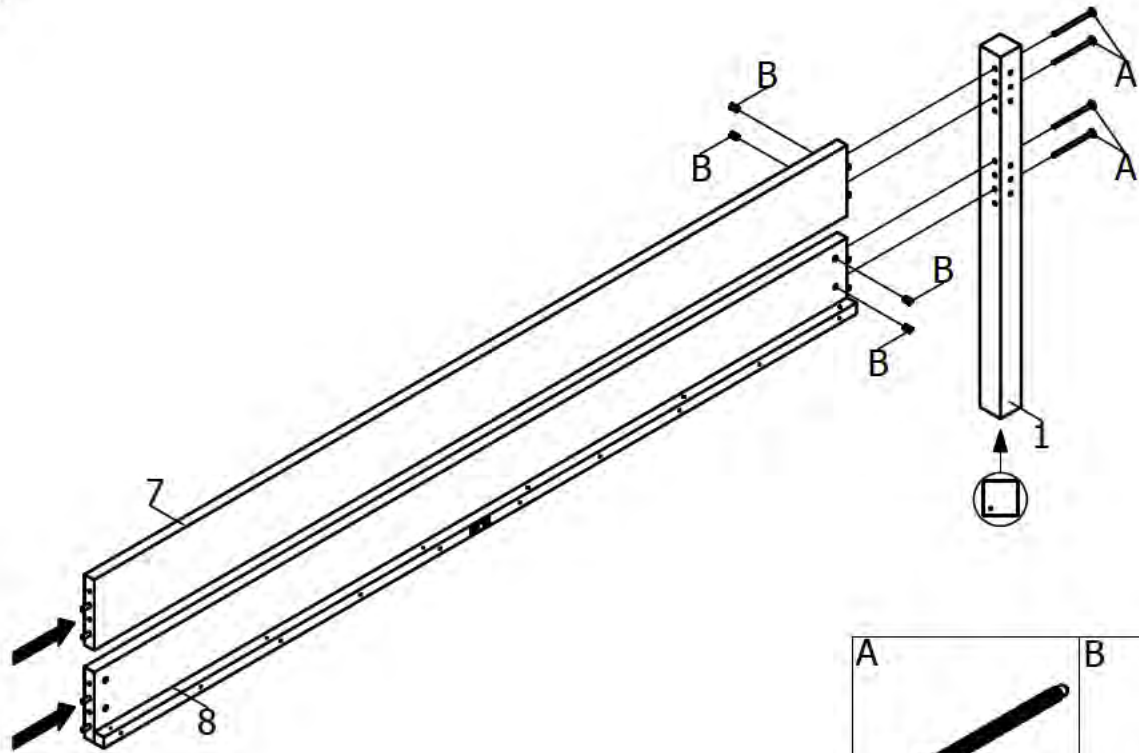
4



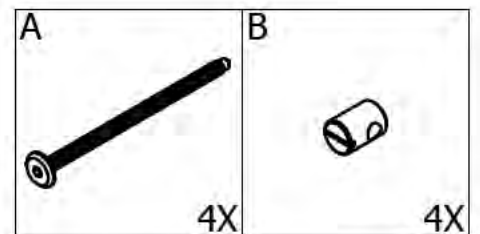
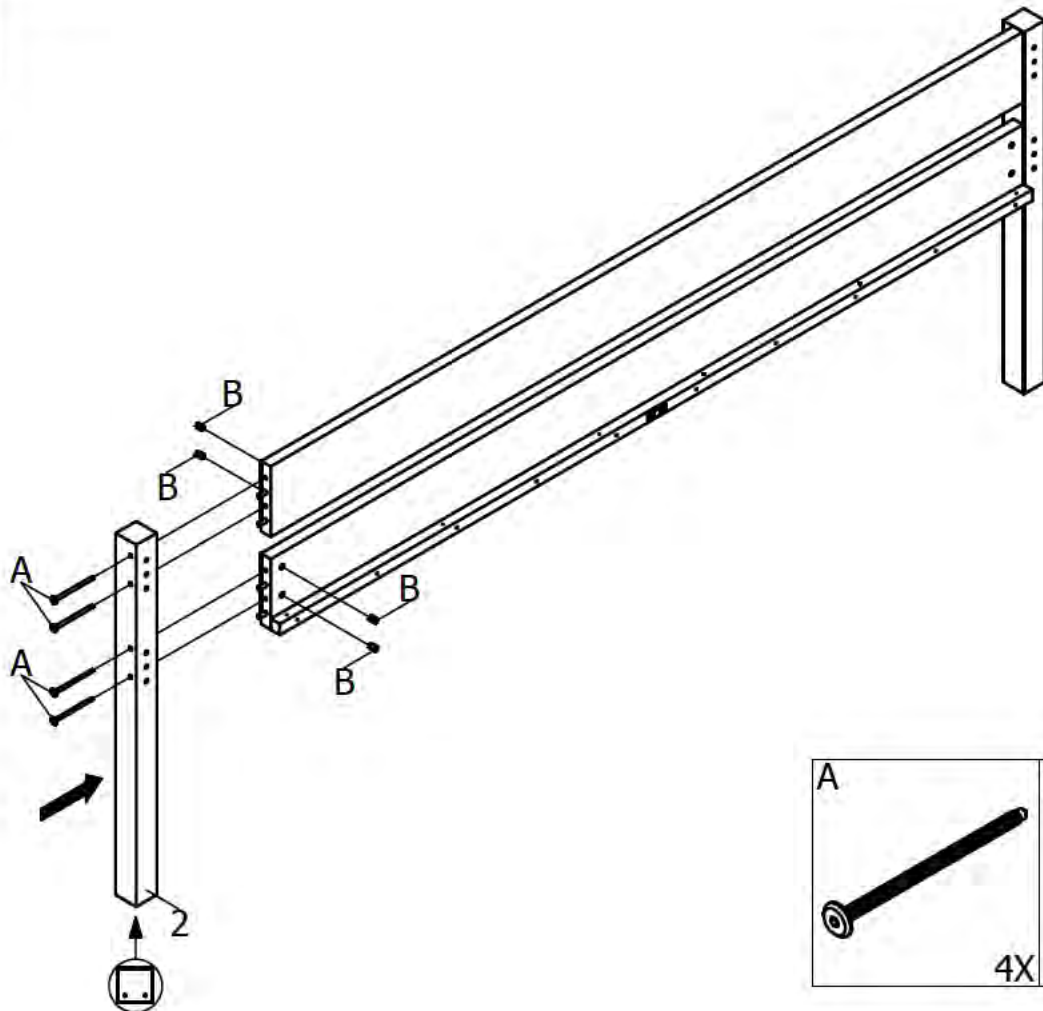
5



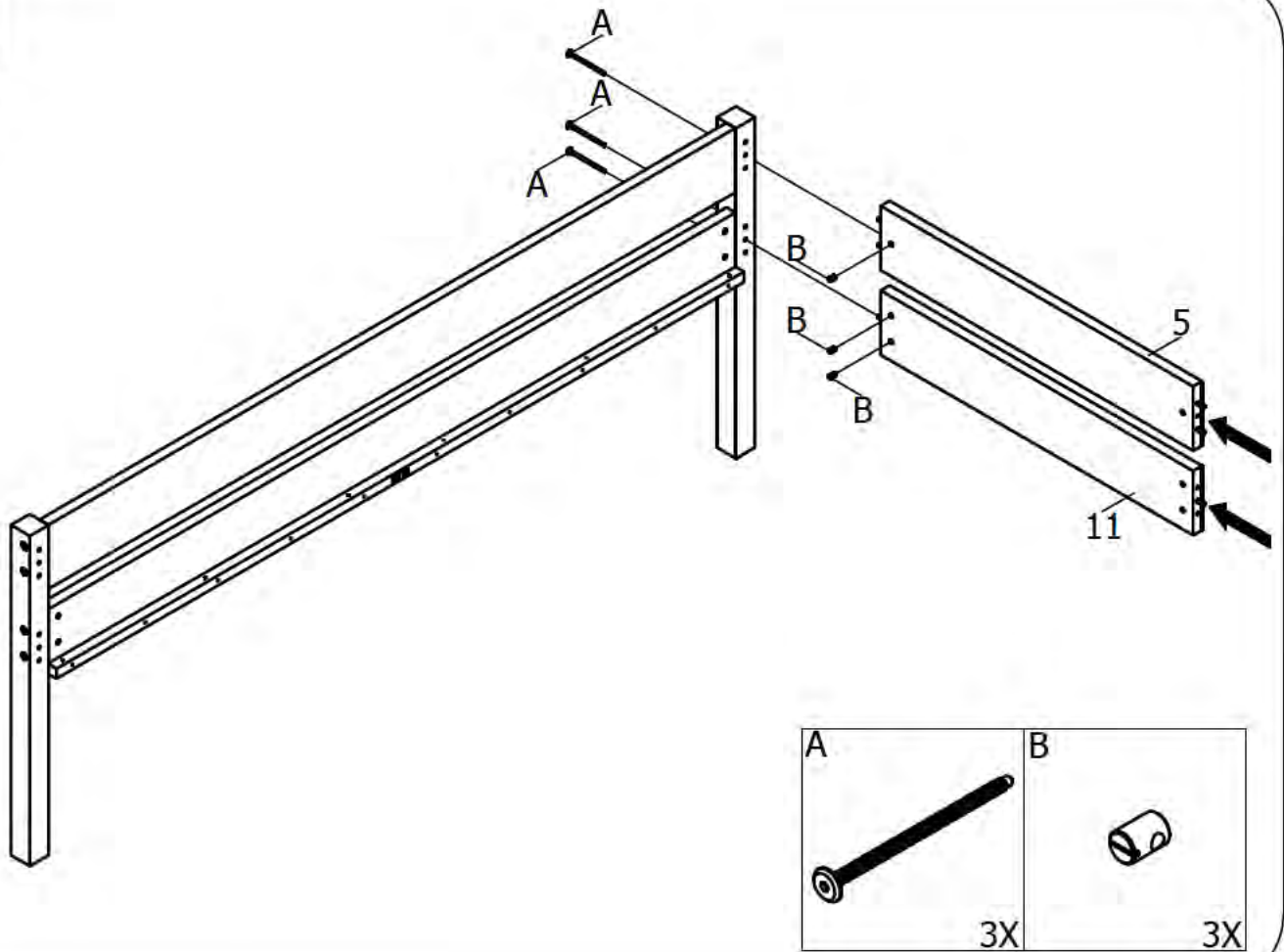
6



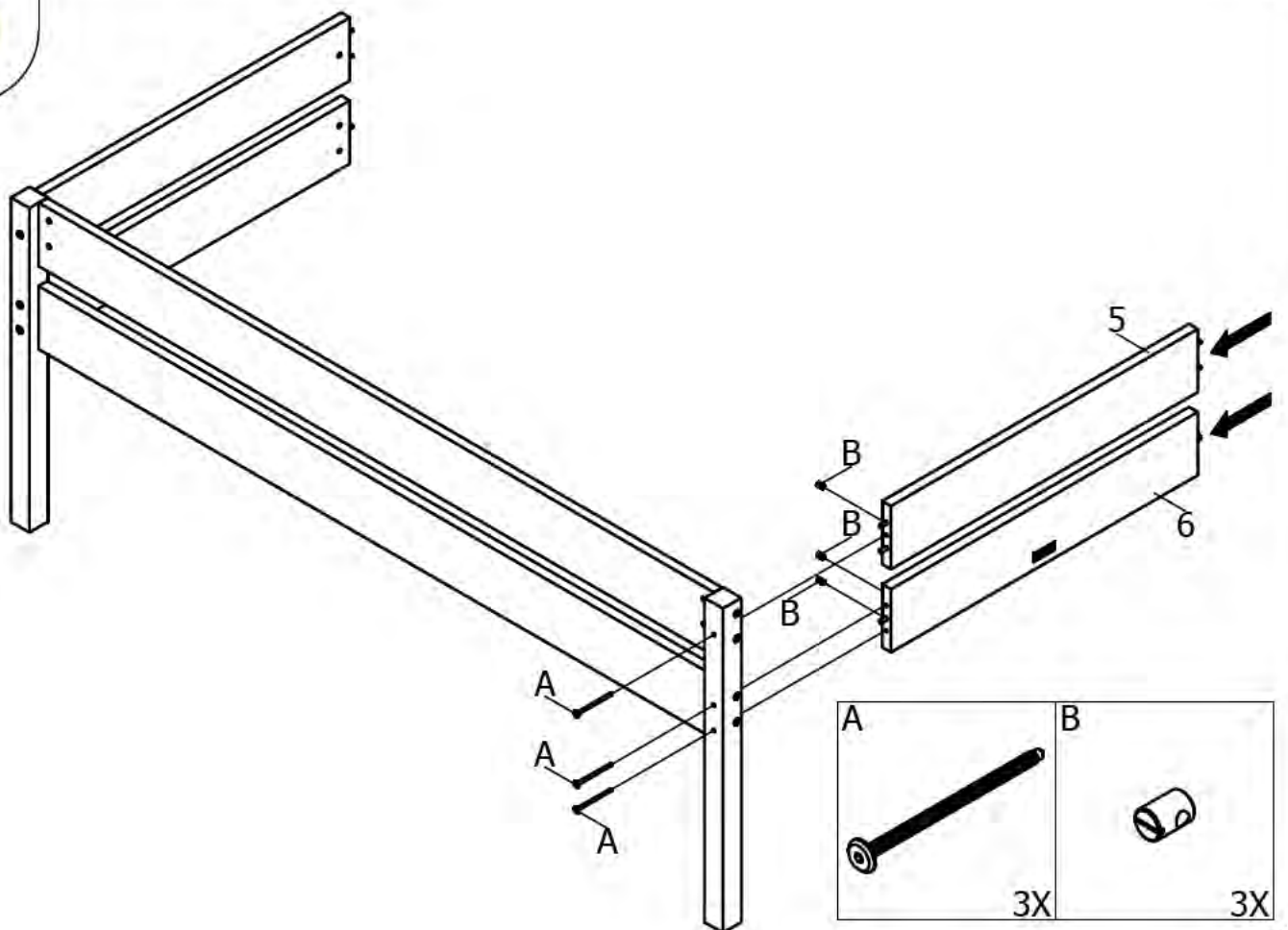
7



8

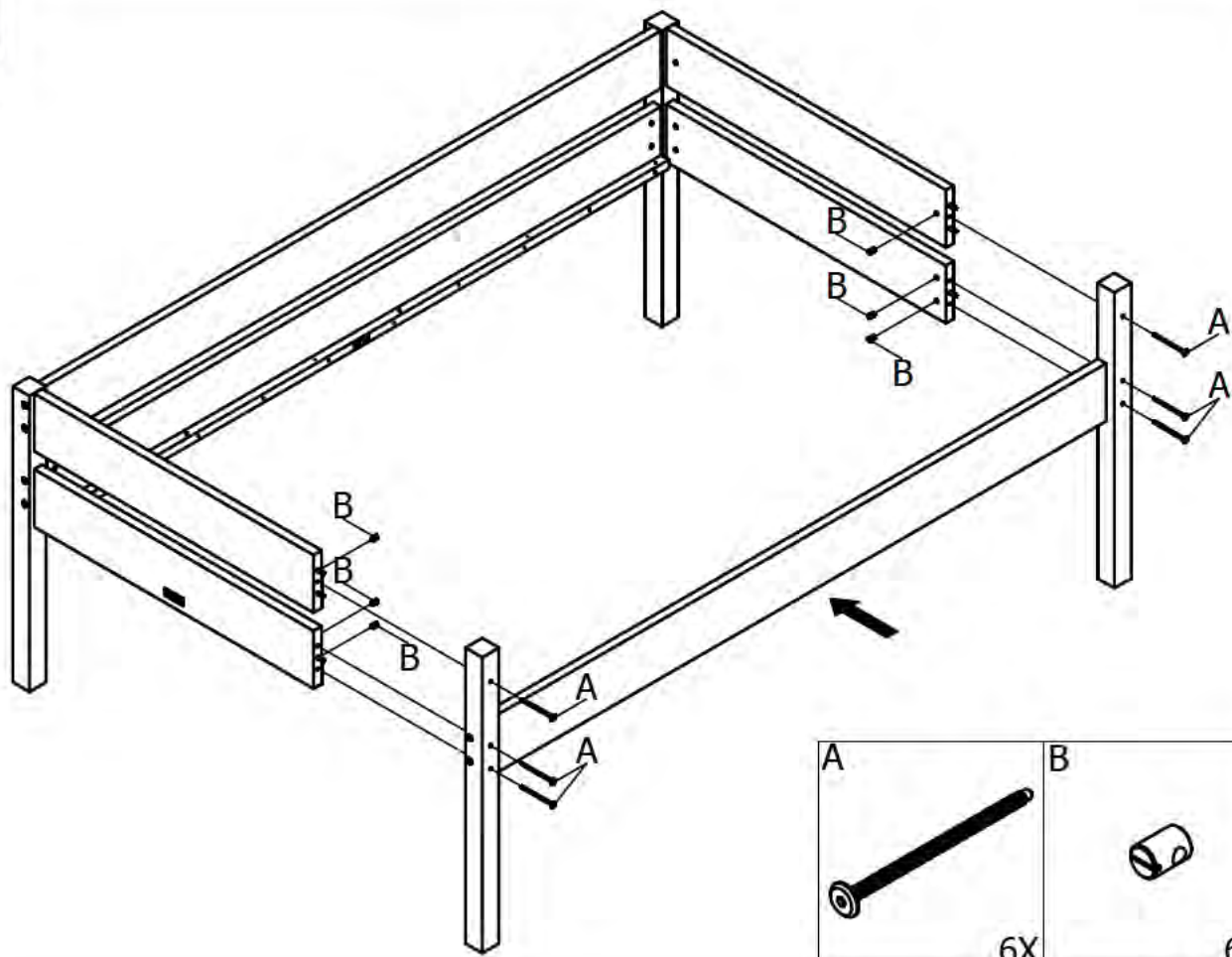


9

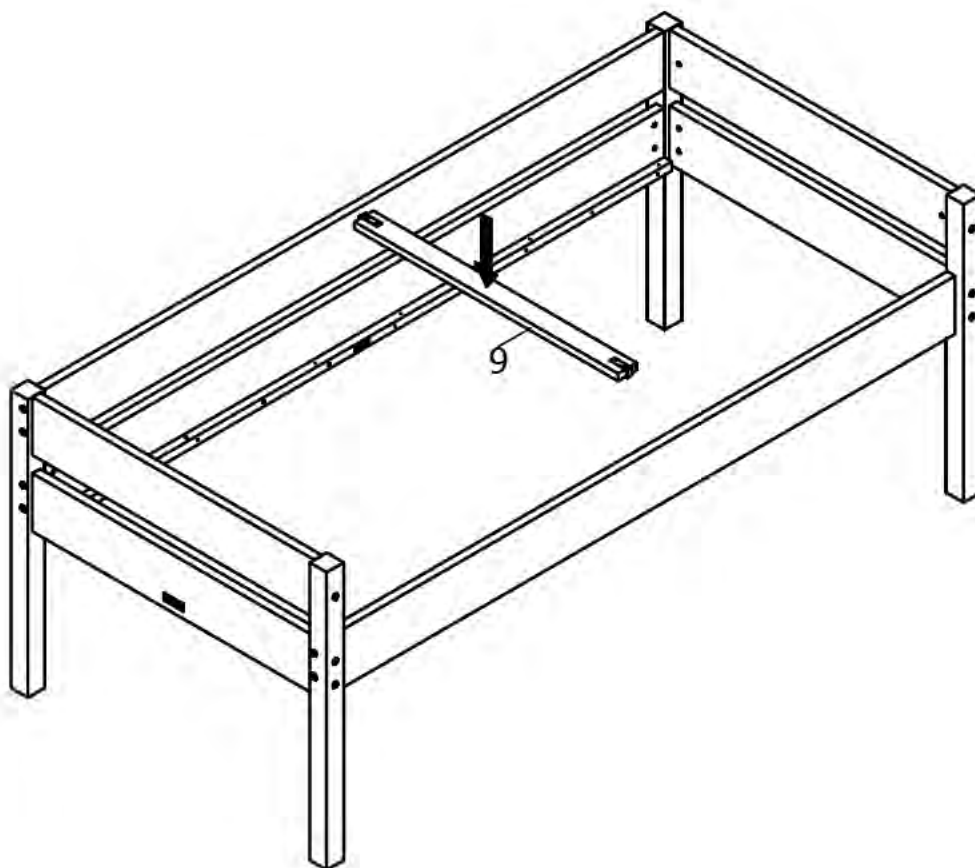




10



11



12

